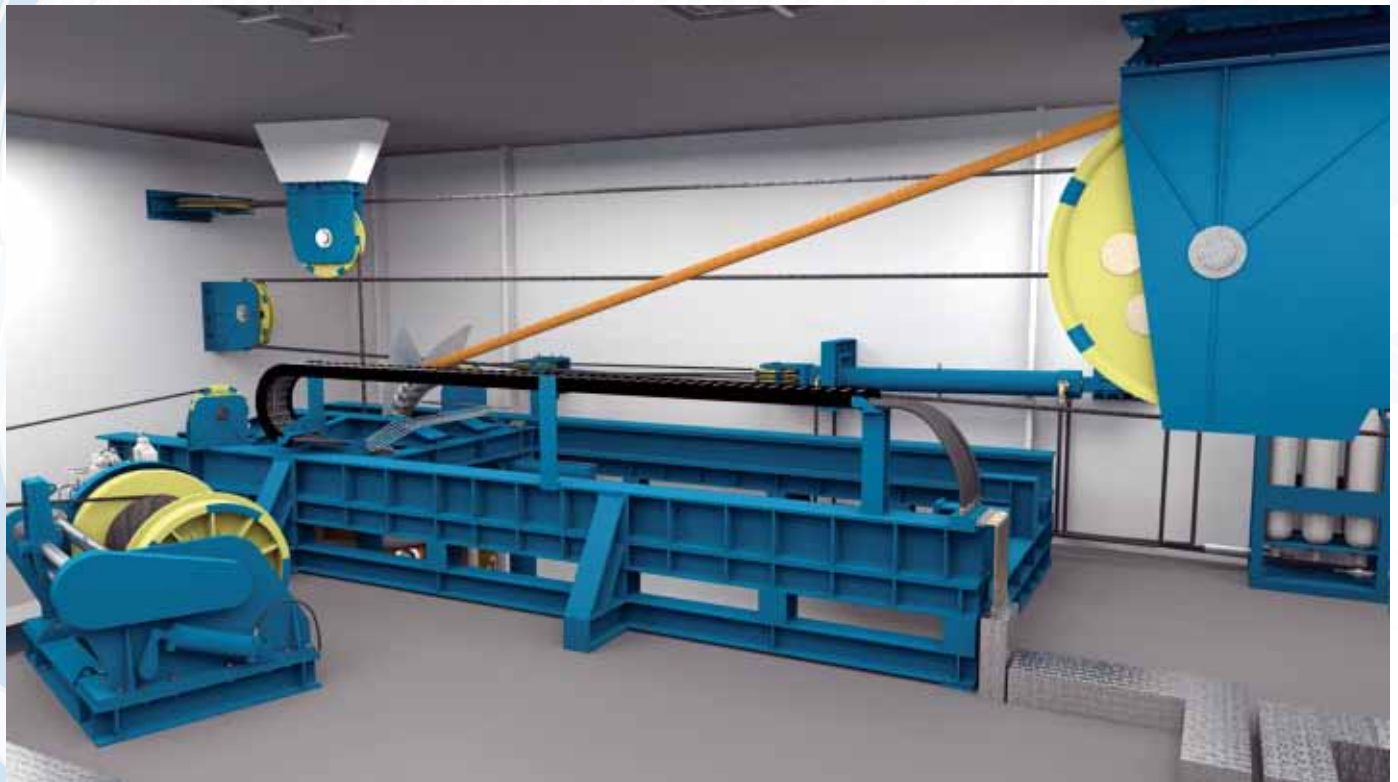


Description

The Umbilical sheave is 2 meters in diameter and guides the umbilical cable from the winch to the diving bell, controlling the safe bending radius of cable during deployment and recovery operations of the bell. It features a counter-meter system to continuously check the meterage of umbilical deployed.

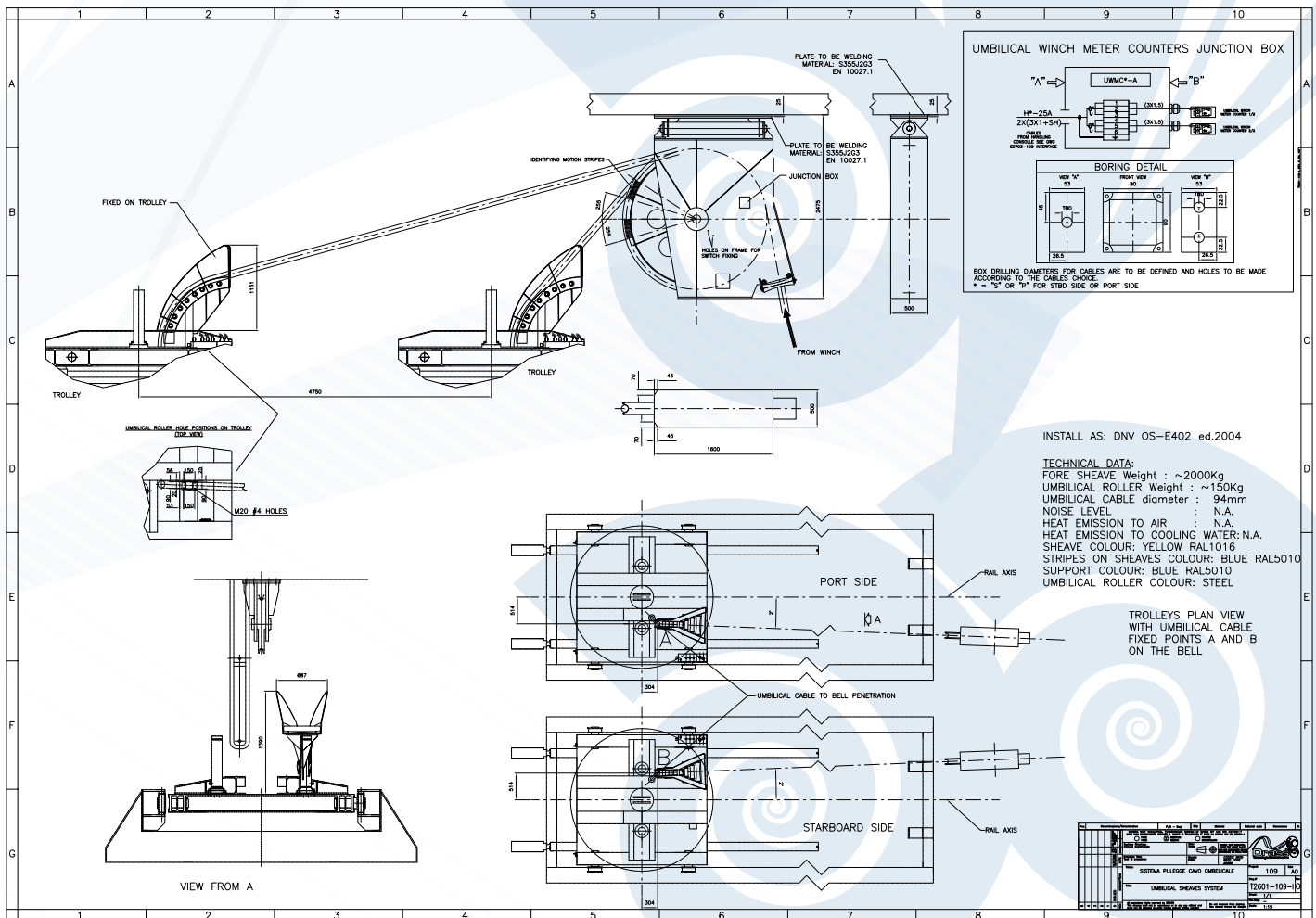
CERTIFICATION: DNV



Picture 1. Umbilical Sheave

TECHNICAL AND OPERATIONAL DATA

SAFE WORKING LOAD	
Diameter	ø 1910
U-Groove	ø 120
Safe working load	15 kN



Picture 2. Umbilical Sheave



DRASS GROUP OF COMPANIES
VIA N. MAGRI, 112 - 57121 - LIVORNO - ITALY
PHONE: +39 0586 421221
FAX: +39 0586 421223
www.drass.it
info@drass.it

